

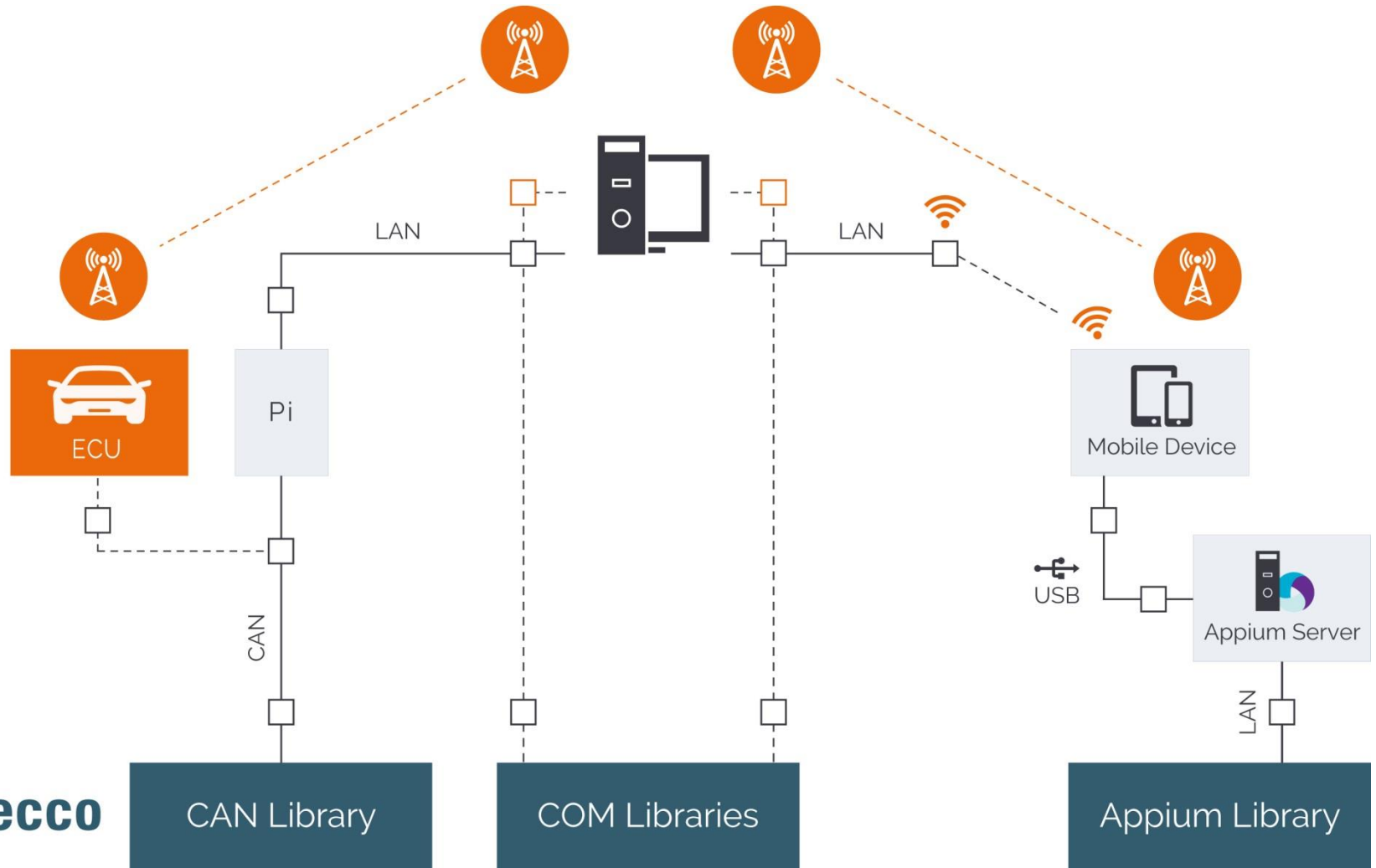


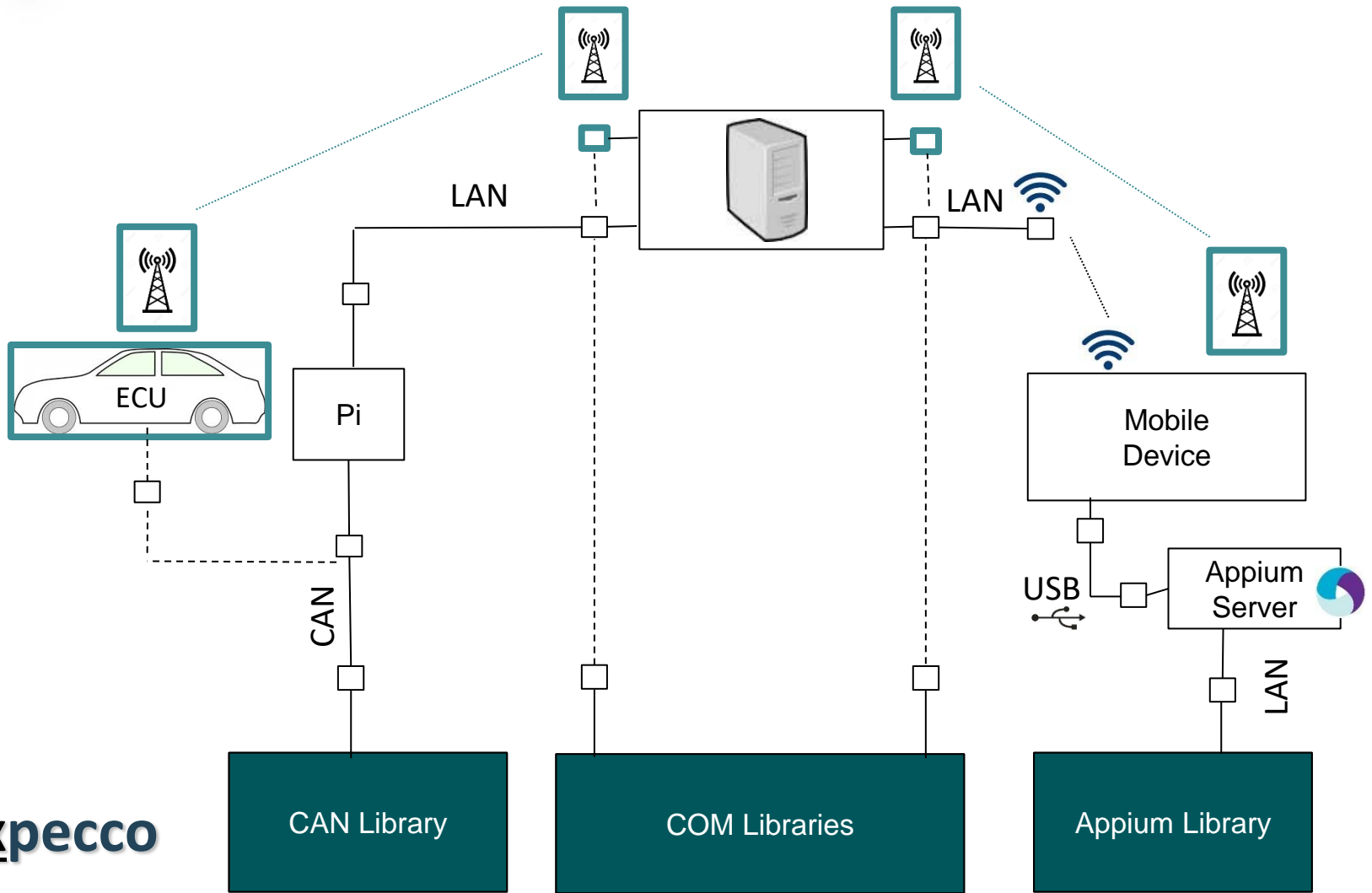
expecco

Beispieltestfall



Testaufbau Connected Car





Testautomatisierung über alle Teststufen

expecco

CAN Library

COM Libraries
(HTTP/TCP/IP)

Appium Library

Entwicklung

ECU
(Sensor-Simulation)

Back-End
(Server-Simulation)

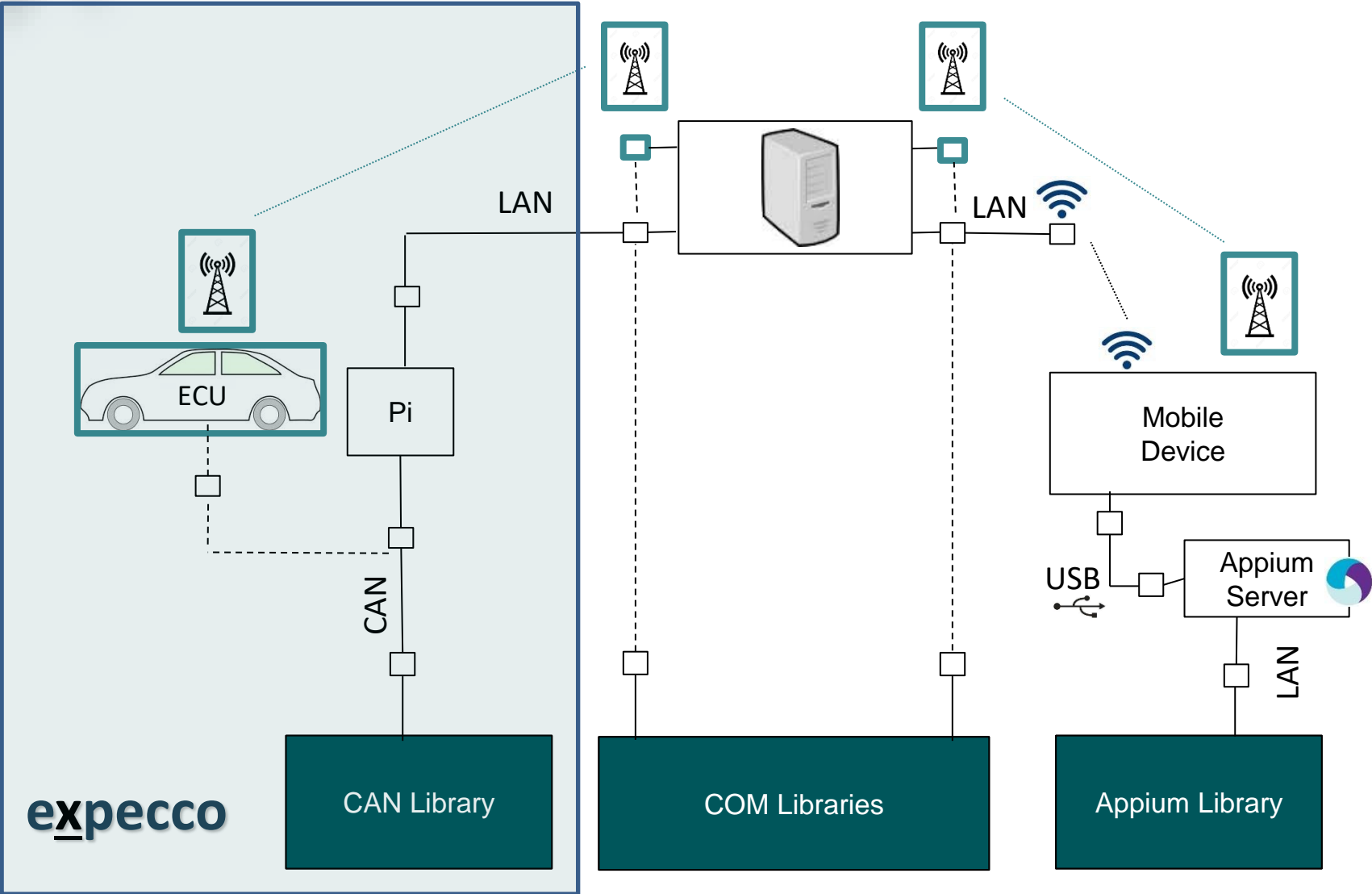
Mobile Device

Integration

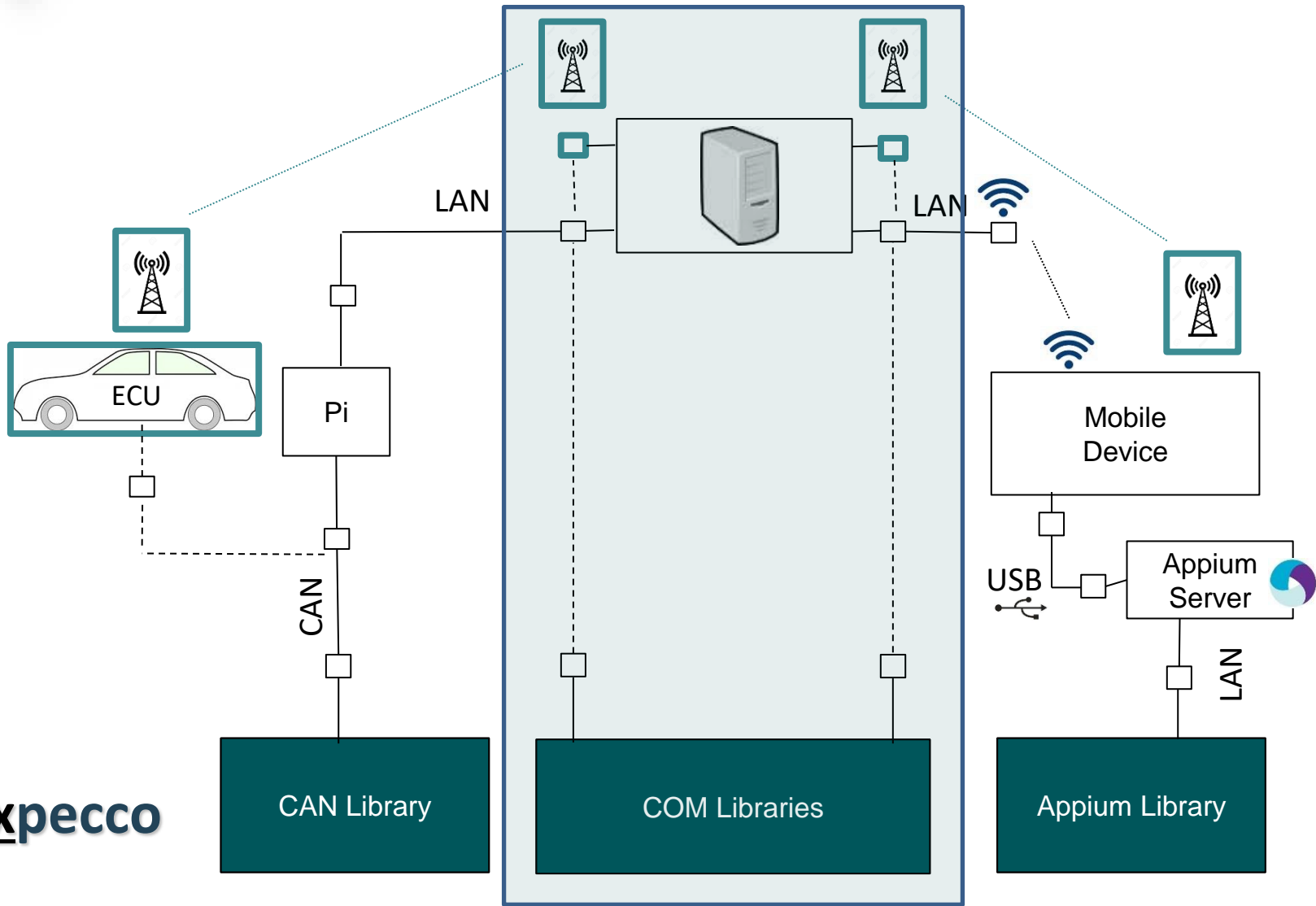
Systemtest



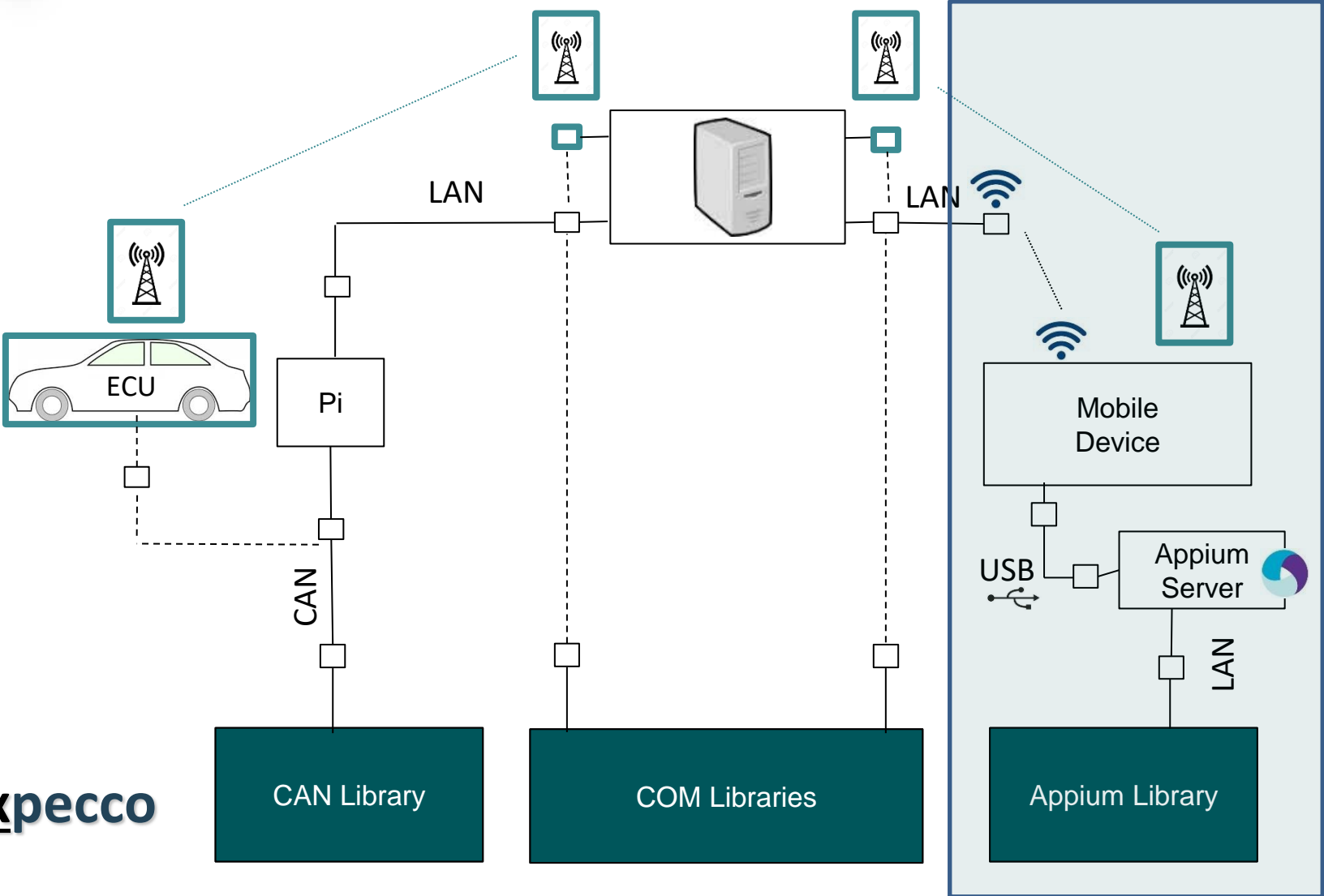
Komponententest (I)



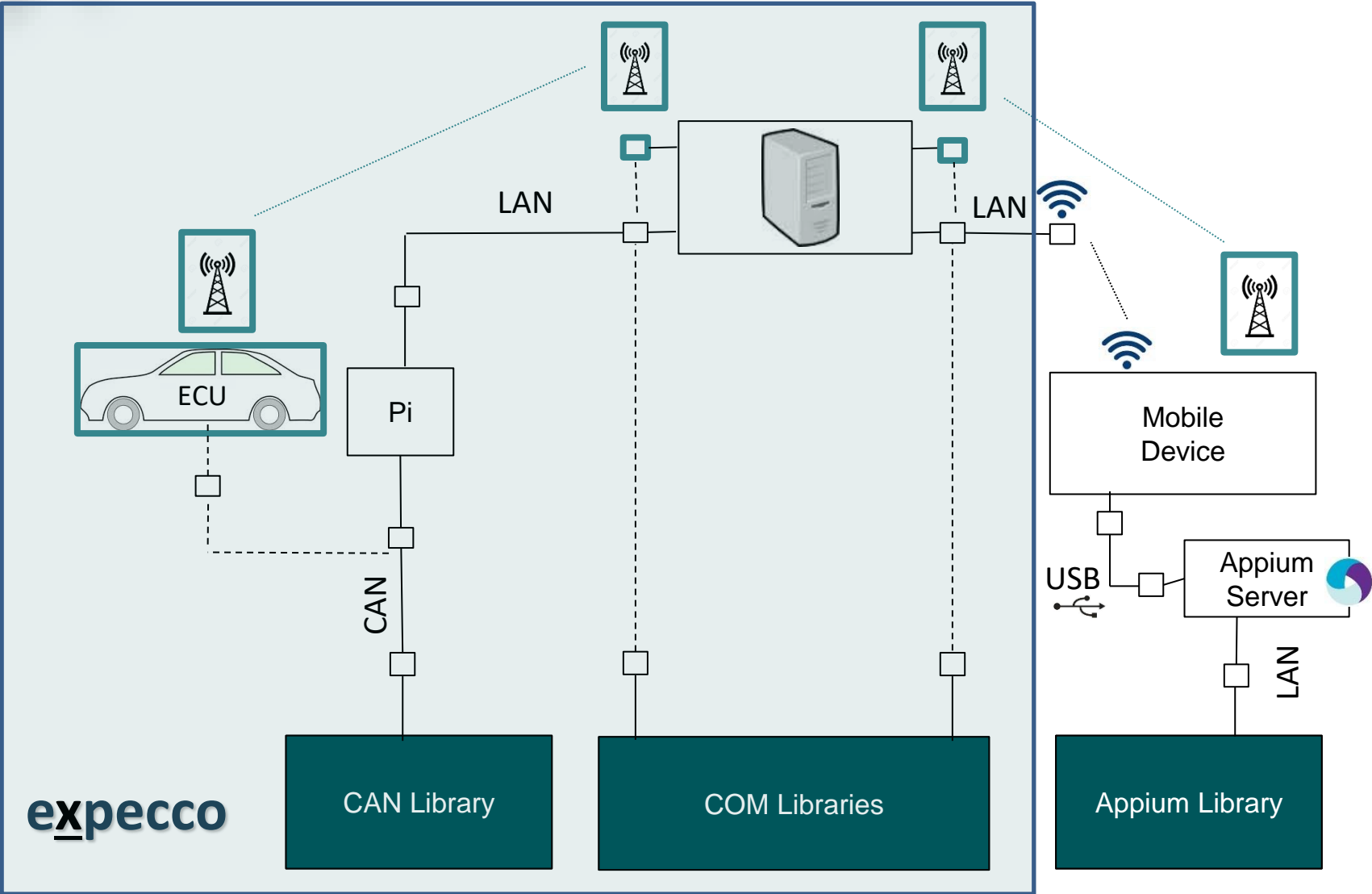
Komponententest (II)



Komponententest (III)



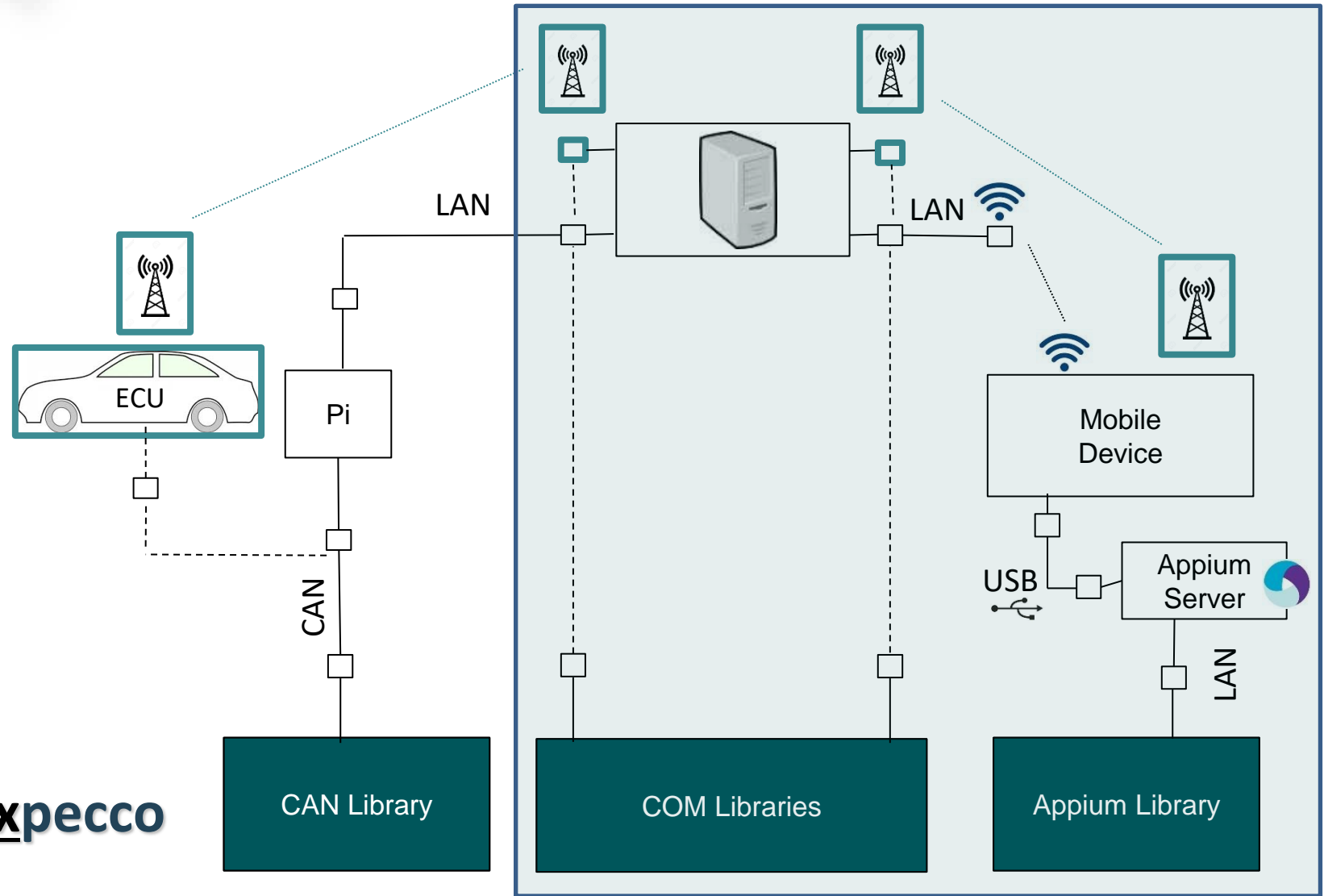
Integrationstest (I)



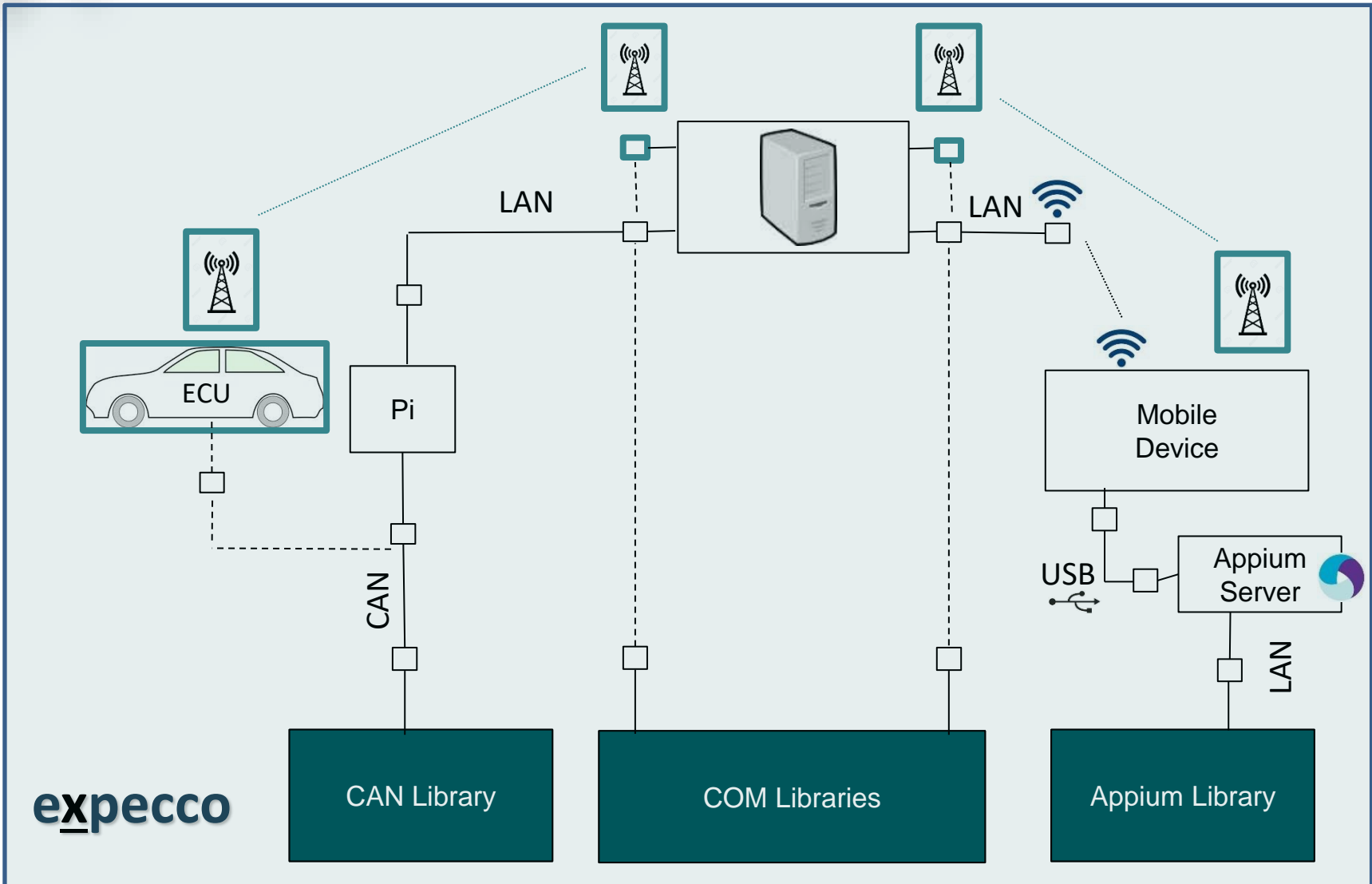


Integrationstest (II)

expecco



Systemtest („End-to-End-Test“)





Restbussimulation

